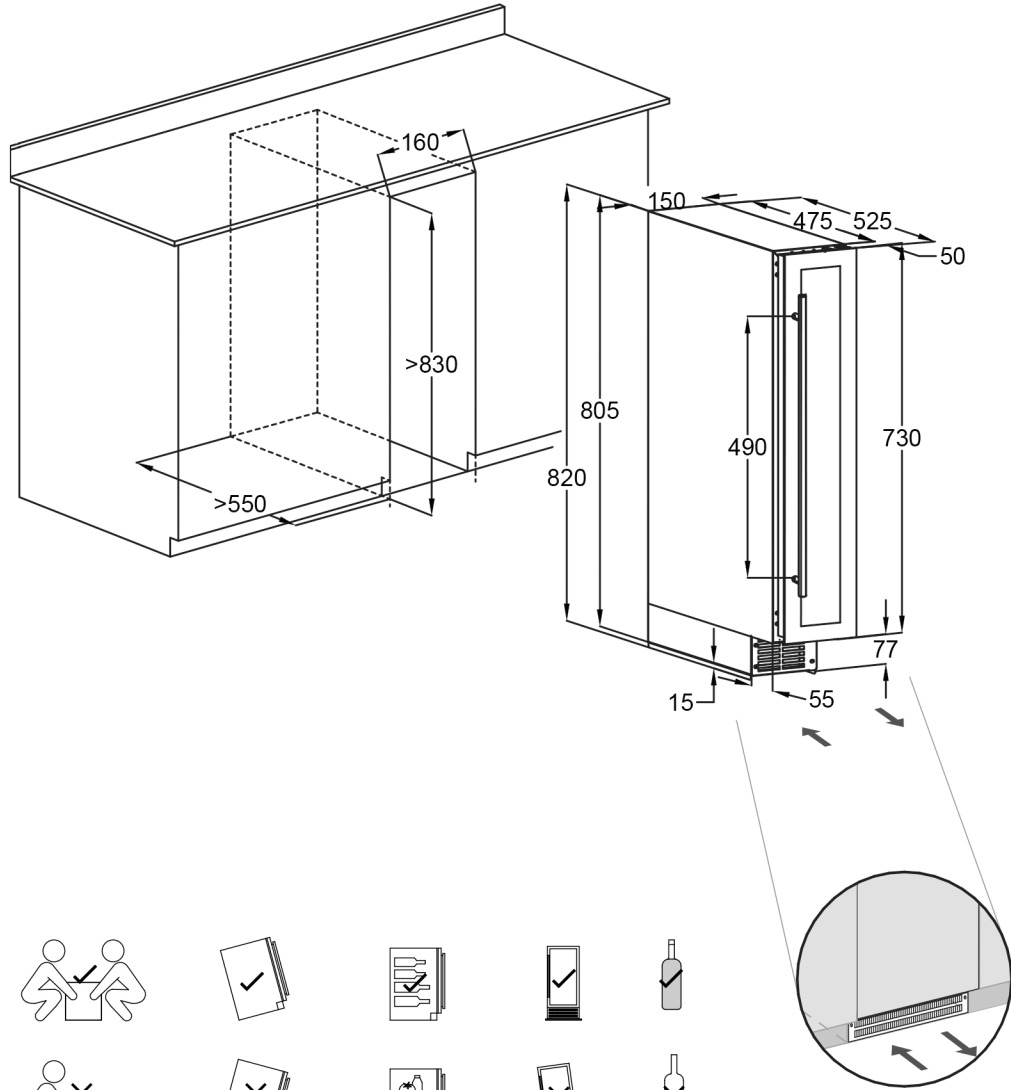
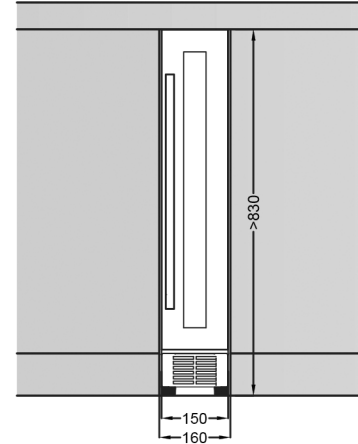


## DUNAVOX FLOW-9

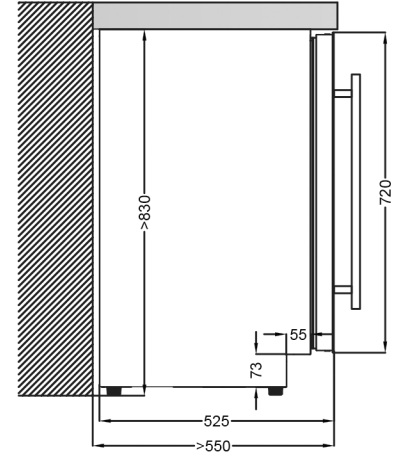
DAUF-9.22B, SS



Front View



Side View



Top View

