

fino al 07/2010
until 07/2010

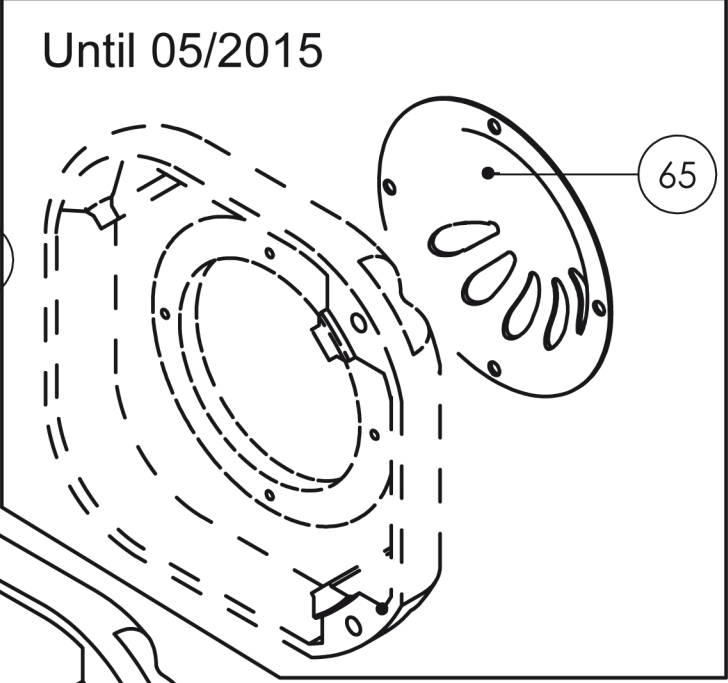


80A

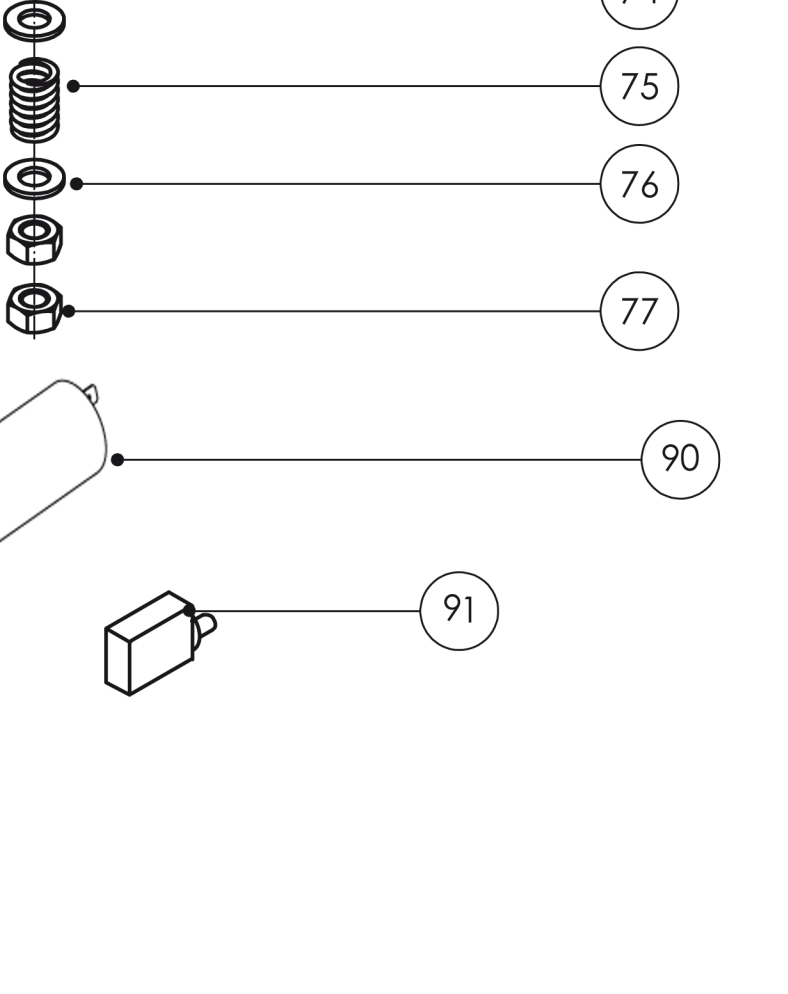
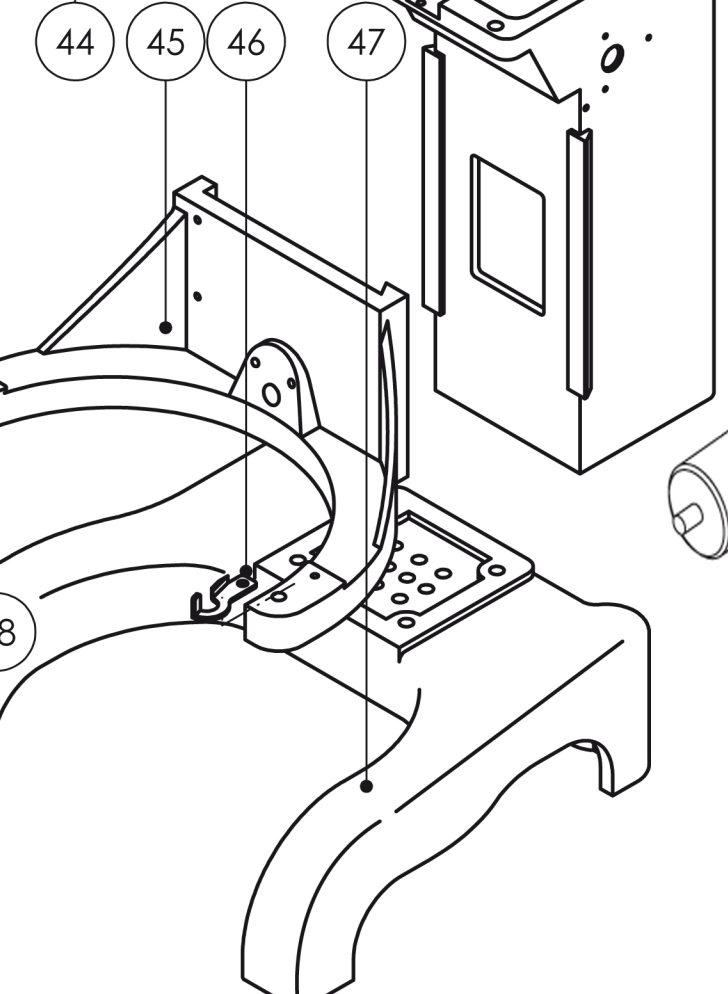
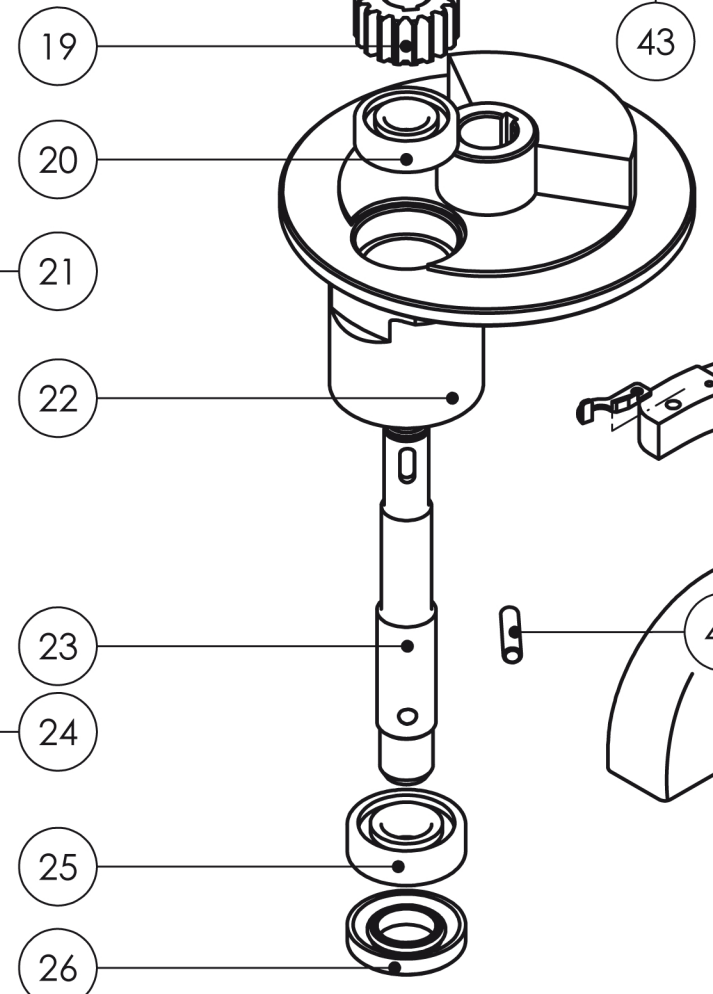
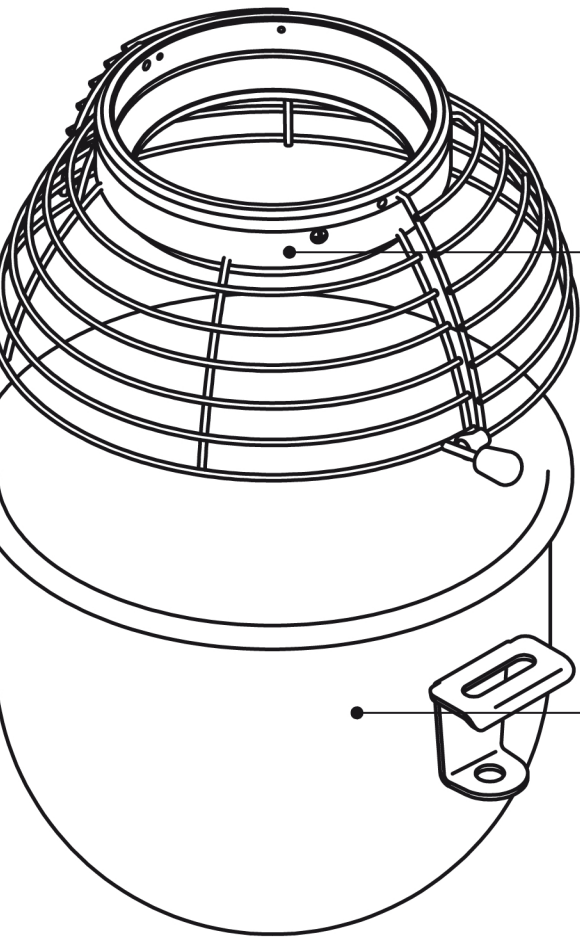
dal 08/2010
from 08/2010



80B



From 06/2015



PLUTONE 10 CE Tav. unica

Rifer	Nome prodotto	Codice
1	FRUSTA PLT10	CNP10-40306000
2	GANCIO PLT10	CNP10-40305900
3	SMALL SPRING PLT10	CNP10-50406002
4	ALBERINO PLT10	CNP10-50405020
5	SUPPORTO ALBERINO PLT10	CNP10-40308300
6	SPATOLA PLT10	CNP10-40305800
7	ALBERO TRASCINAMENTO PLT10	CNP10-40301900
8	DADO PLT10	CNP10-50304005
9	ANELLO PLT10	CNP10-40301800
10	CUSCINETTO PLT10	CNP10-50301006
11	MANIGLIA PLT10	CNP10-40303300
12	GAMBO MANIGLIA PLT10	CNP10-40303100
13	BOCCOLA PLT10	CNP10-40303800
14	PARAOLIO PLT10	CNP10-50310006
16	MOSTRINA PLT10	CNP10-40303200
17	COP. INTERNO SELETTORE PLT10	CNP10-50405016
18	CAMMA CAMBIO VELOCITA PLT10	CNP10-50405388
19	INGRANAGGIO PLT10	CNP10-40302700
20	CUSCINETTO 6202 PLT10	CNP10-50301004
21	GRIGLIA PROTEZIONE VASCA PLT10	CNP10-40309700
22	CHIUSURA RID. INF. PLT10	CNP10-40302900
23	PERNO PLT10	CNP10-40302800
24	VASCA PLT10	CNP10-50401003
25	CUSCINETTO 6203 PLT10	CNP10-50301005
26	PARAOLIO 20407 PLT10	CNP10-50310003
27	COPERCHIO PLT10	CNP10-40309800
28	TAPPO PLT10	CNP10-50405032
29	DADO PLT10	CNP10-50304038
30	CONTROL NUT PLT10	CNP10-50405021
31	PERNO PLT10	CNP10-40303400
33	INGRANAGGIO PLT10	CNP10-40301700
35	CHIUSURA RID. SUP. PLT10	CNP10-40302300
36	CUSCINETTO PLT10	CNP10-50301012
37	PORTA CUSCINETTO PLT10	CNP10-40301100
38	INGRANAGGIO PLT10	CNP10-40311400
39	PRESS BOARD PLT10	CNP10-40301300
40	INGRANAGGIO PLT10	CNP10-40301400
41	BOCCOLA PLT10	CNP10-50405019
42	SUPPORTO PLT10	CNP10-40301500
43	INGRANAGGIO PLT10	CNP10-40302600
44	SCATOLA RIDUTTORE PLT10	CNP10-40302500
45	SUPPORTO VASCA PLT10	CNP10-40310200
46	GANCIO FERMA VASCA PLT10	CNP10-50405074
47	BASE PLT10	CNP10-40310000
50	SMALL SPRING PLT10	CNP10-50308006
51	INGRANAGGIO PLT10	CNP10-40300600
52	CHIAVETTA PLT10	CNP10-50313012

53	SEEGER	PLT10	CNP10-50312002
54	INGRANAGGIO	PLT10	CNP10-40300700
55	BOCCOLA	PLT10	CNP10-40300800
56	INGRANAGGIO	PLT10	CNP10-40300900
57	RONDELLA	PLT10	CNP10-40301000
58	CUSCINETTO	PLT10	CNP10-50301001
59	DISTANZIALE	PLT10	CNP10-40303700
60	CUSCINETTO	PLT10	CNP10-50301001
61	ALBERO	PLT10	CNP10-40300400
62	SEEGER	PLT10	CNP10-50312006
63	INGRANAGGIO	PLT10	CNP10-40300500
64	MOTORE PLT 10		CNP10-50501010
65	BACK COVER	PLT10-20	CNP10-50405191
66	VITE SENZA FINE	PLT10	CNP10-50405133
67	BACK GUARD	PLT 10LT	CNP10-50699017
68	CHIUSURA MOTORE	PLT10	CNP10-40300200
69	MANOVELLA LEVA	PLT10	CNP10-40305400
70	LEVA	PLT10	CNP10-40305600
71	MOSTRINA ON/OFF	PLT10	CNP10-50402011
72	INTERRUTTORE + BOBINA V.230 MN		19410152
73	TIRANTE	PLT10	CNP10-40305200
74	CORPO VERTICALE	PLT10	CNP10-40310100
77	DADO	PLT10	CNP10-50304006
80B	PIN AZIONAMENTO MICRO	PLT 10LT	CNP10-03-02A
80A	PIN AZIONAMENTO MICRO OLD	PLT 10LT	CNP10-03-02
90	CAPACITOR 75MF	PLT10	CNP10-50505008
91	OVERLOAD SWITCH	PLT10	CNP10-50503006
104	DISTANCE SWITCH	PLT10	CNP10-50506073